

SHIELD

Full Height (3/8" glass only)

Installation instructions

935005 – 06-2021

| EN |

Table of contents

1	Technical specifications	3
1.1	Overview	3
	1.1.1 General information	3
	1.1.2 Intended use	3
	1.1.3 Glass requirements/fittings/mounting	3
	1.1.4 Requirements for glass panel	3
	1.1.5 Safety instructions	3
	1.1.6 Symbols used - Safety/Installation	3
	1.1.7 Maintenance, care, repair	3
	1.1.8 Disposal	3
2	Installation instructions	4
2.1	Overall	4
2.2	Install clamp brackets	5
2.3	Install covers and end caps	6
2.4	Secure foot flange to mounting surface	6

1 Technical specifications

1.1 Overview

These instructions are for installation of SHIELD Full Height for the following mounting and style versions:

1. Glass mounting

1.1.1 General information

- dormakaba requires use of tempered monolithic glass only for this product.
- dormakaba glass hardware is not suitable for harsh environment; for example, applications where chemicals (e.g. chlorine) are used such as indoor swimming pools, saunas, or salt-water pools.

1.1.2 Intended use

- For stationary glass panels in dry indoor areas only.

1.1.3 Glass requirements/fittings/mounting

- The substructure/wall must be able to bear permanent loads, and be level (max. tolerance: 1/16" [2] per 39" [1m]).
- Fasteners must be sufficiently dimensioned for the substructure/wall and weight of the glass.
- When adjusting glass elements, always stick to the required clearance for the respective hardware. Adjust clearance so glass does not come in contact with any hard surfaces such as glass, metal or concrete.
- Do not use excessive force when installing the glass (avoid over tightening screws.)
- This product is able to utilize 3/8" [10] thick glass ONLY.
- This product is designed for a maximum glass width of 36" [914] and a maximum glass height of 72" [1.8m].

1.1.4 Requirements for glass panel

- dormakaba requires use of fully tempered glass, which complies with ASTM C 1036 and ASTM C 1048. Secondary heat soaking processes are optional but not required.
- Clamping area must be flat and uncoated (no self-cleaning coating!)
- Never use glass with conchoidal fractures and/or damaged edges.

1.1.5 Safety instructions

- Installation requires two people.
- Always wear protective clothing.

- Only properly qualified and specially trained staff is authorized to mount dormakaba glass hardware.
- Due to crushing hazards and possible injury caused by breakage of glass during mounting, corresponding protective clothing (especially gloves and protective goggles) is required.
- Never clamp metal glass fitting hardware directly to glass surface.

1.1.6 Symbols used - Safety/Installation



CAUTION

Mounting components must meet the requirements of substructure/wall and door weight. Please read the technical information for fittings.



WARNING

Risk of breaking glass. When installing the door, support the door panel with a block of wood or similar object.



CLOSING EDGE OF DOOR

1.1.7 Maintenance, care, repair

- Immediately replace damaged parts.
- Always use original dormakaba parts.
- Clean clamping area with alcohol-based standard commercial cleaning agent before mounting the glass hardware.
- Use a damp cloth for occasional cleaning.
- Always use silicone - and oil-free cleaners (e.g. acetone).
- Check glass hardware at regular intervals for proper positioning, smooth operation and correct adjustment.
- High traffic systems require inspection by properly qualified staff (specialized companies or installation firms.)
- Function of fittings is recommended to be checked every 500,000 movements by a specialist.

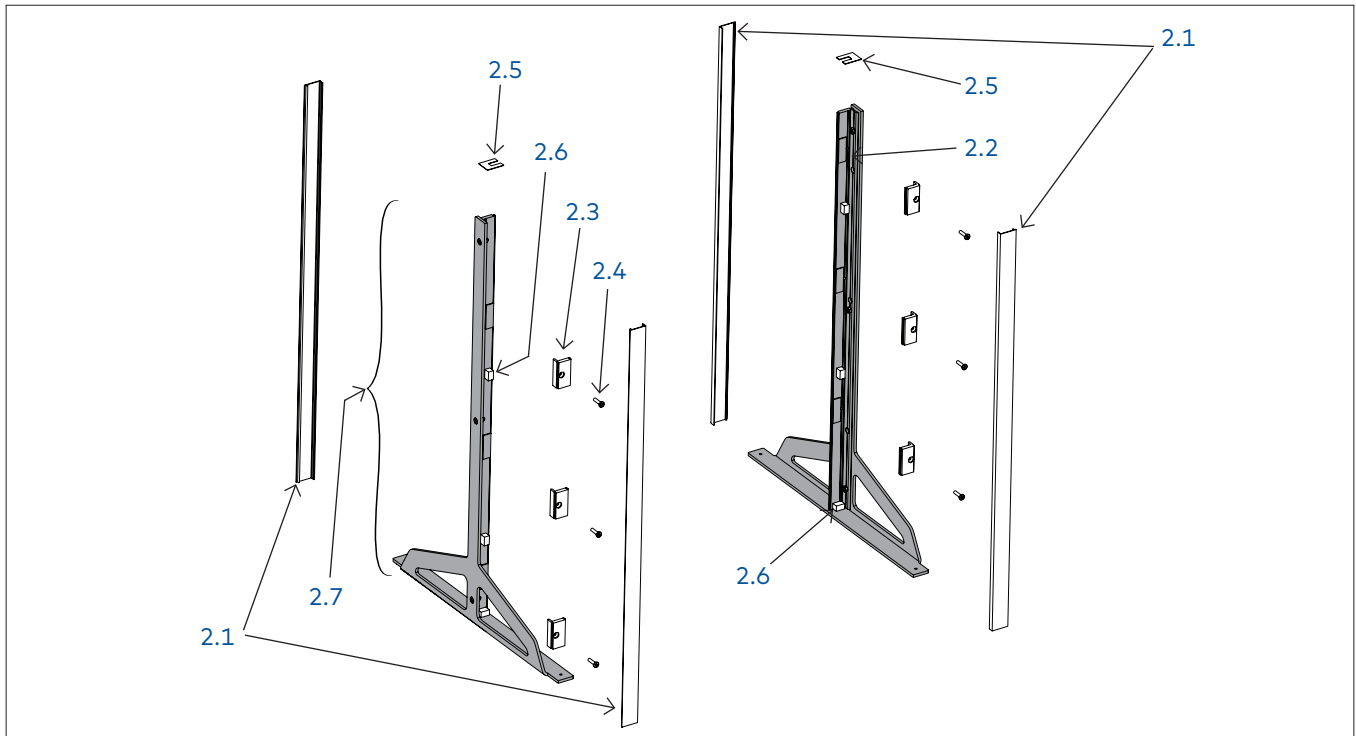
1.1.8 Disposal

Disposal in accordance with local, state and national regulations.

2 Installation instructions

2.1 Overall

Fig.1



2.1 Covers
2.2 Channel

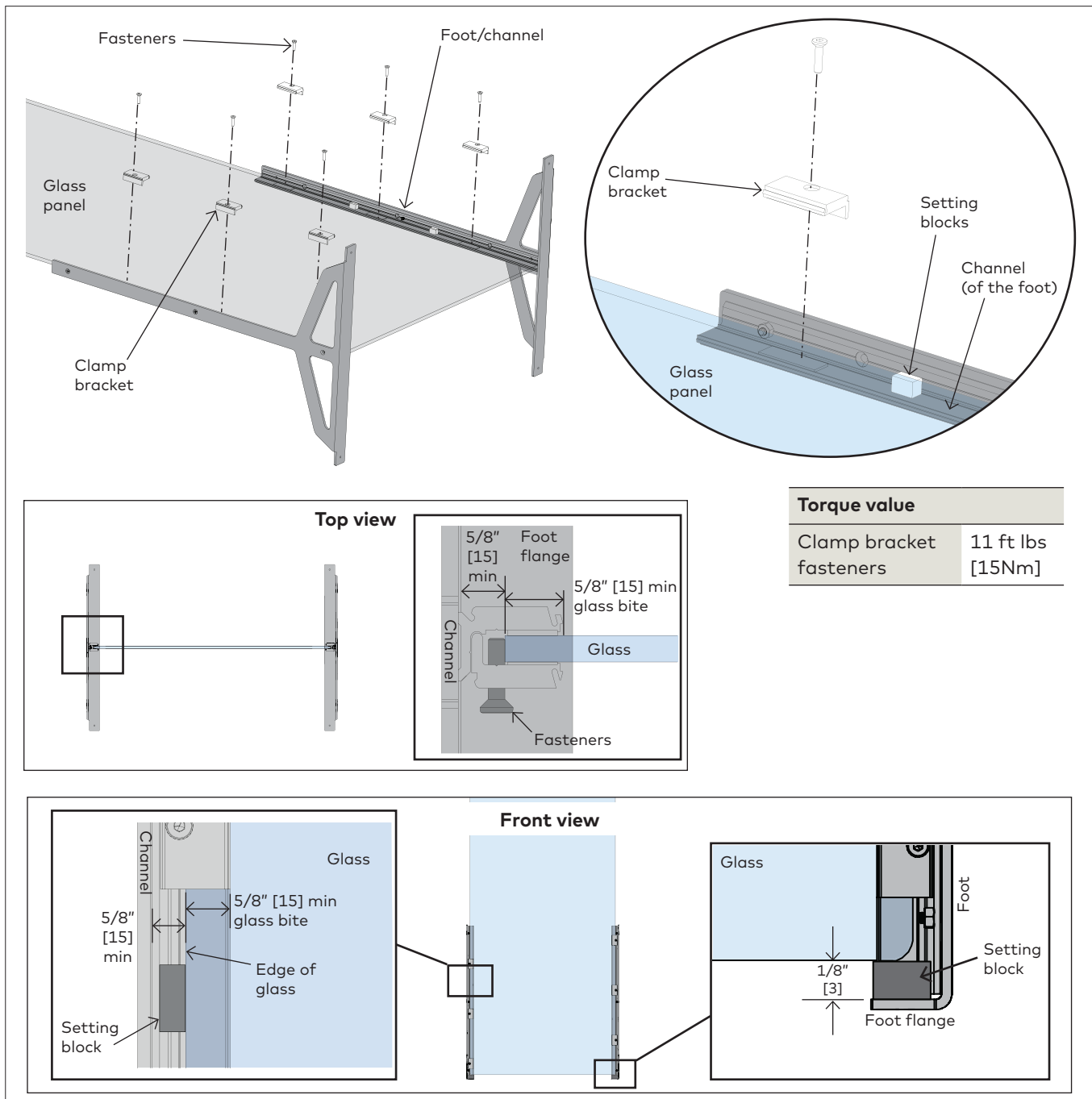
2.3 Channel clamp brackets
2.4 Clamp bracket fasteners

2.5 End caps (x2)
2.6 Setting blocks

2.7 Foot

2.2 Install clamp brackets

Fig.2

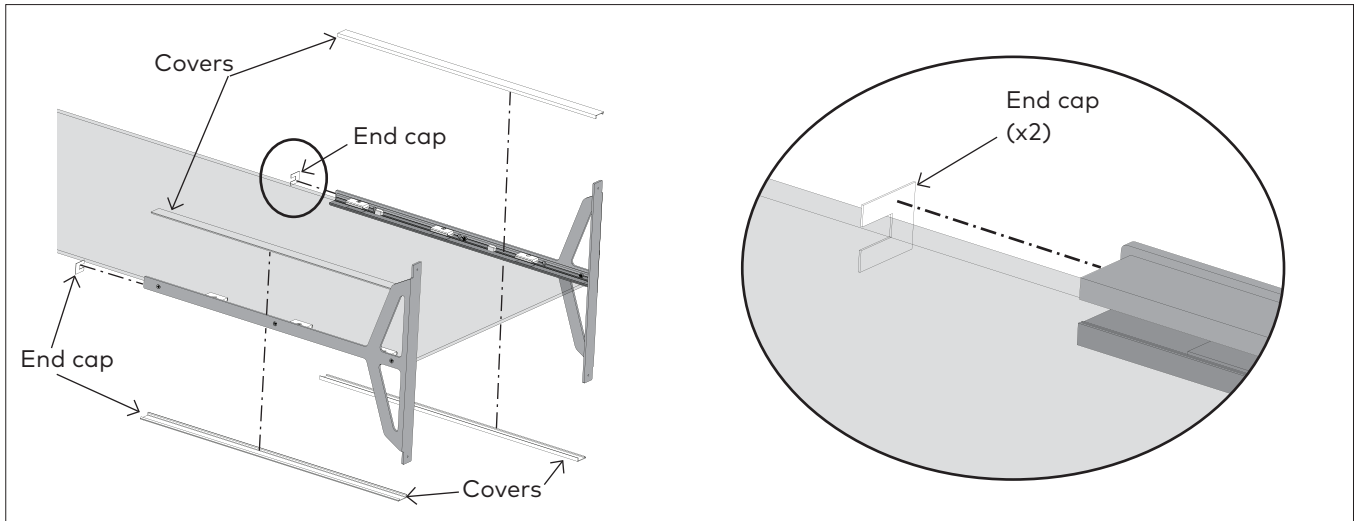


- 2.2.1 Lay the foot/channel(s) flat on saw horses.
 - 2.2.2 Lay the glass panel into the channels.
 - 2.2.3 Insert setting blocks into channel of each foot.
- NOTE:** See "Top View" image above. Ensure a minimum 5/8" [15] gap between edge of glass panel and channel to allow clearance for the fasteners.
- NOTE:** See "Top View" image above. Ensure a minimum of 5/8" [15] glass bite in clamps.
- 2.2.4 Place setting blocks onto the foot flange of each foot.

- NOTE:** See "Front view" image above. Ensure a minimum of 1/8" [3] gap between foot flange and bottom of glass panel.
- 2.2.5 Set glass panel against setting blocks.
 - 2.2.6 Secure clamp brackets to channel(s).
 - Use 3 clamps on each foot. Use provided fasteners.
 - Tighten at 11 ft lbs [15Nm].

2.3 Install covers and end caps

Fig.3

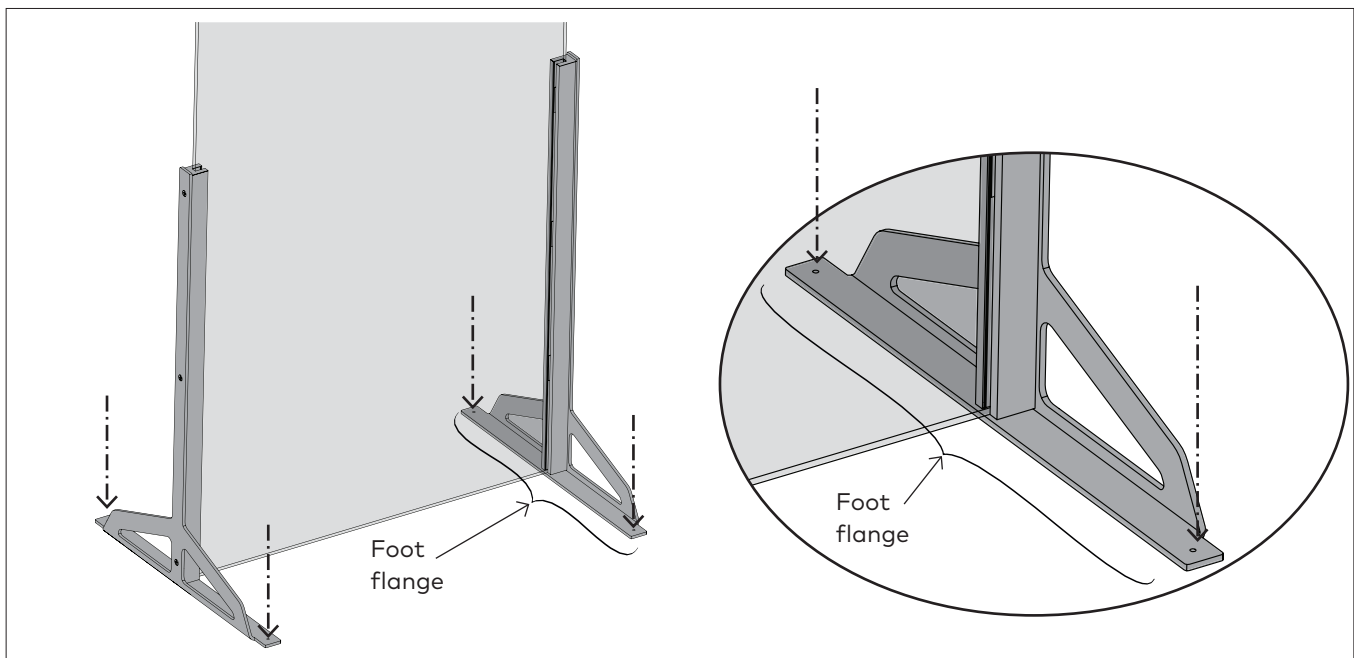


2.3.1 Use a dead blow or wooden block to snap all 4 vertical covers into place.

2.3.2 Remove adhesive from end caps and press onto ends of each cover/foot.

2.4 Secure foot flange to mounting surface

Fig.4



2.4.1 Secure foot flange (x2) to mounting surface.

- Use appropriate fasteners relative to mounting surface material.

